

Features

- Universal input 100-240VAC
- Approved to UKCA, CE, cULus, TUV, RCM (C-Tick), RoHS
- EN/IEC 62368-1 Safety Approved
- Meets Efficiency Level VI
- FCC Class B Certified
- Single Output 5-24V DC
- OVP, OCP, OTP & Short Circuit



Ideal Power's 25HK-AB-xAz-CP6-3A 20W AC/DC External Adapter Interchangeable Power Supply (PSU) Series are certified to UKCA, CE, cULus, TUV, RCM (C-Tick), RoHS, REACH & EN 62368-1/IEC 62368-1/UL 62368-1 Standards and comply with (EU) 2019/1782, Level VI Efficiency Regulations. These are primarily used in ITE, Audio & Video Industries and customised solutions are available upon request.

Models

Model Number	RS Part Number	Output Voltage	Output Current	Output Power	Efficiency %
25HK-AB-050A400-CP6-3A	815-7139	5V DC	4A	20W	83.3

General Specifications

Type	Switched Mode Power Supply
Plug Type	Australia, European Plug, UK, US
Output Connector	2.1mm x 5.5mm x 12mm Centre Positive
Input Connector	Universal Plug
Number Of Outputs	1
Regulated/Unregulated	Regulated
Efficiency	83.08%
Energy Efficiency Level	VI
Applications	Peripheral equipment, Networking equipment, Portable equipment, Telecommunications equipment

Output Data

Output Voltage	5 V DC
Input Voltage Range	100 ~ 240V AC \pm 10%
Output Regulation	4.75-2.25V
Power Rating	20W
Load Regulation	\pm 5%
Dielectric Withstand	AC 3000 Vrms ,4mA,1minute for type test, 2 second for production test
Input Frequency	47H - 63Hz
Hold-up time	10ms Min at 110VAC full load
Inrush Current	50 ~ 60A Max Depending on model
No Load Power Consumption	0.1W Max
Ripple and Noise	240mV Max @20MHz bandwidth with 10UF/50V capacitance and 104/50V
MTBF	100,000 hours at 25 centigrade degrees
Line Regulation	\pm 2% maximum
Short Circuit	Yes

Mechanical Specifications

Cable Length	6ft Minimum
Width	101mm
Length	52mm
Depth	36mm

Operation Environment Specifications

Maximum Temperature	40°C
Minimum Temperature	0°C
Humidity	10% ~ 95%

Approvals

Standards Met	AS/NZS 60950.1, BS EN 60950-1, CB, CE, CSA C22.2 No. 60950-1-07, cUL, EN 60950-1, ErP III (Level VI) Efficiency Compliant, FCC, J60950-1, SAA, TUV, UL, UL 60950-1
Compliance/Certifications	UKCA, cULus, TUV, CB, PSE, C-Tick, CE, REACH & RoHS

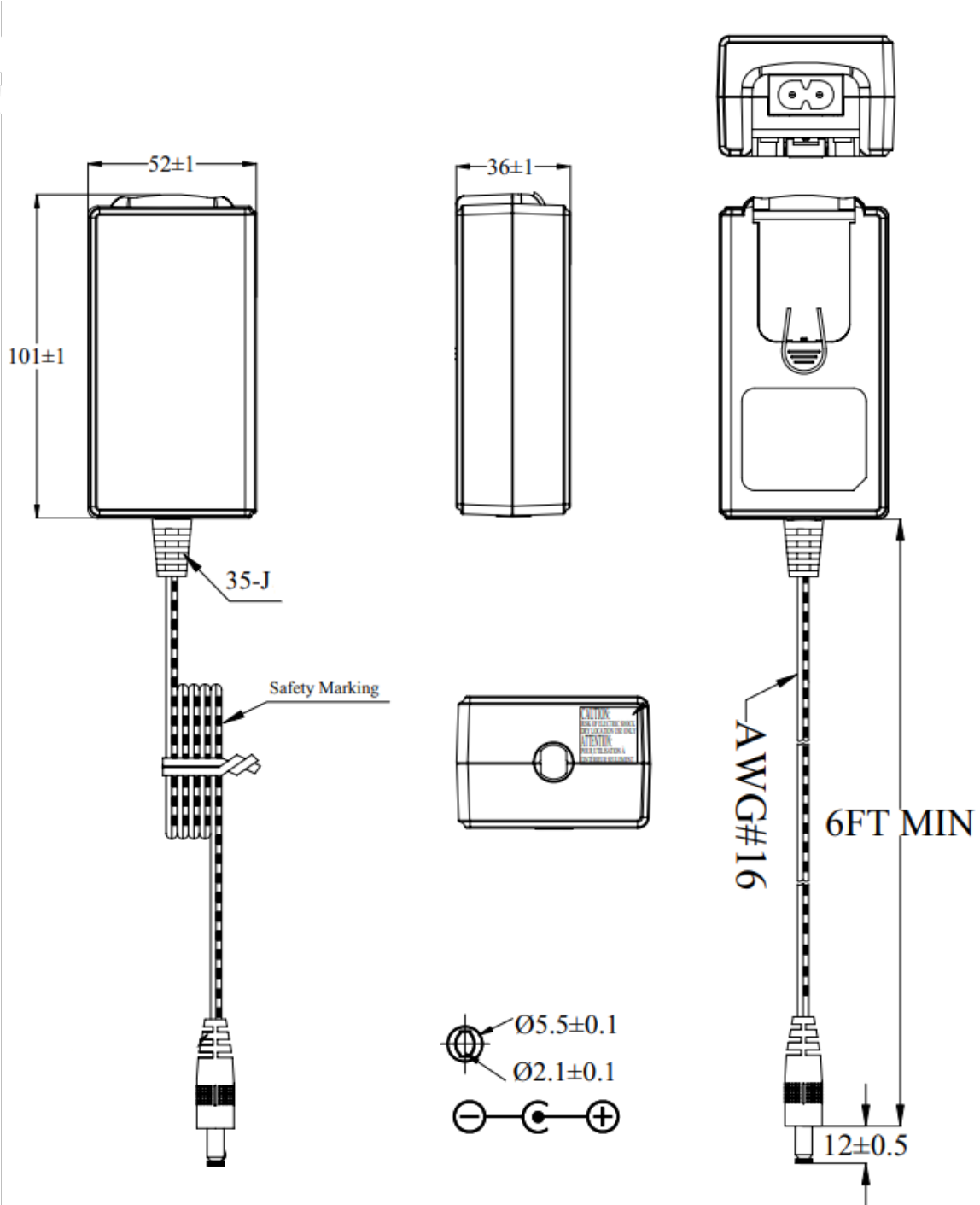
Mechanical Drawing



AC – DC

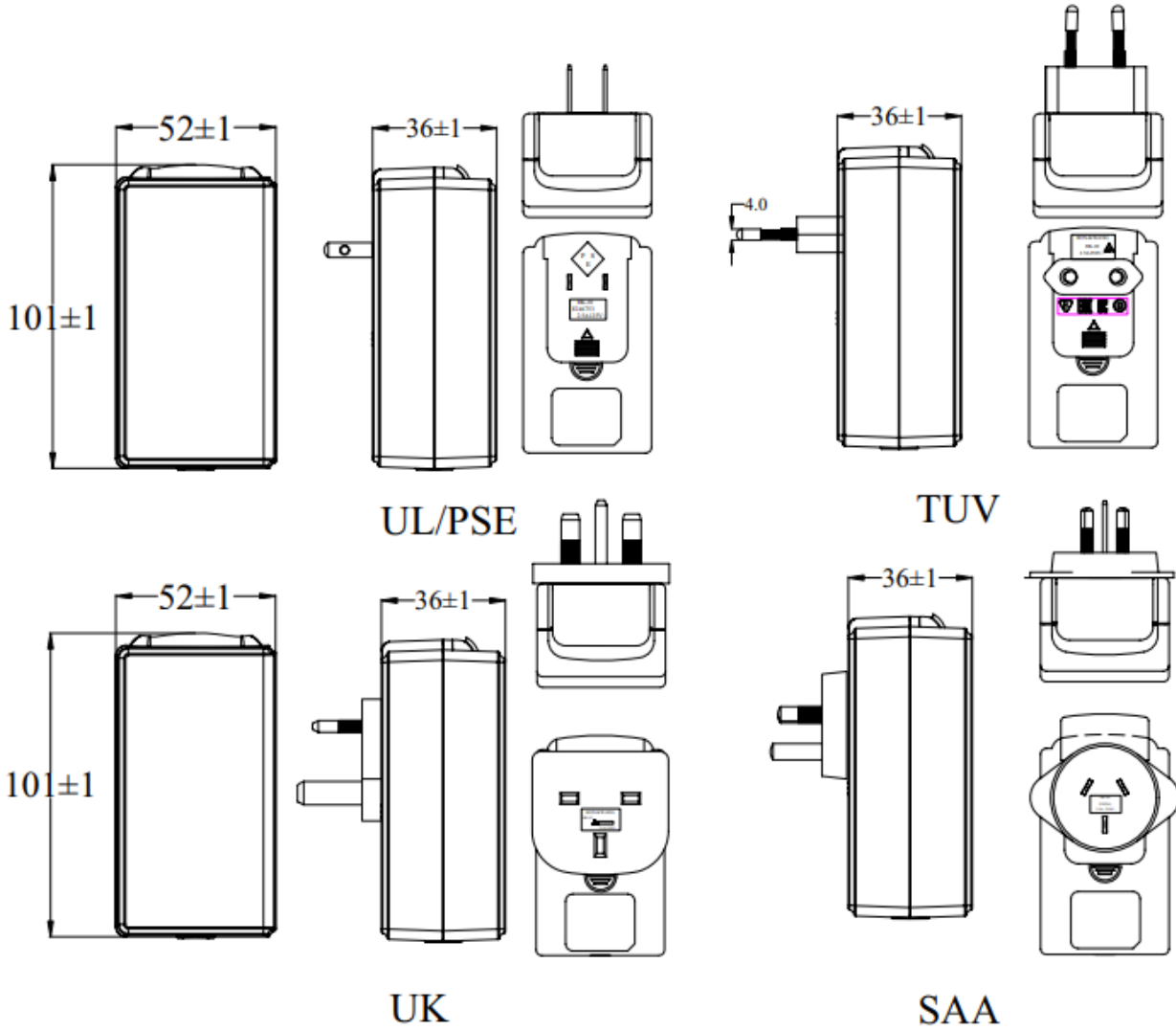
Mechanical Drawing (continued)

AC – DC



Mechanical Drawing (Continued)

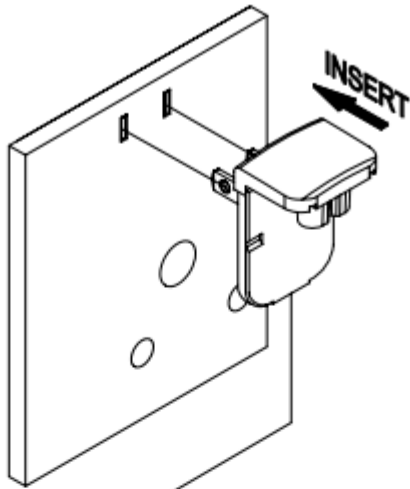
UNIT: mm



AC - DC

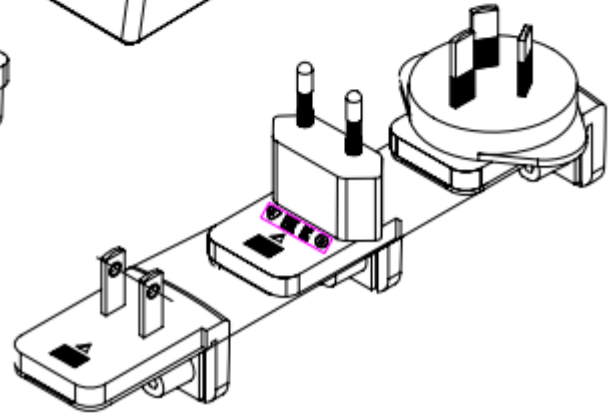
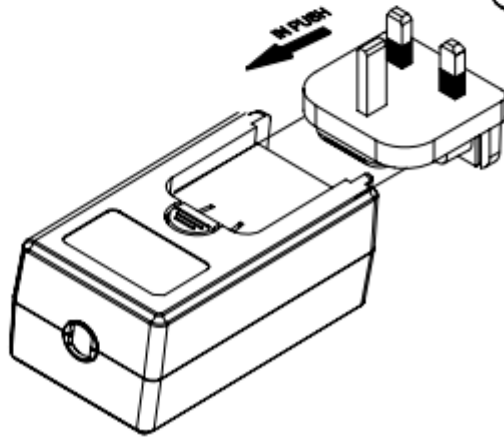
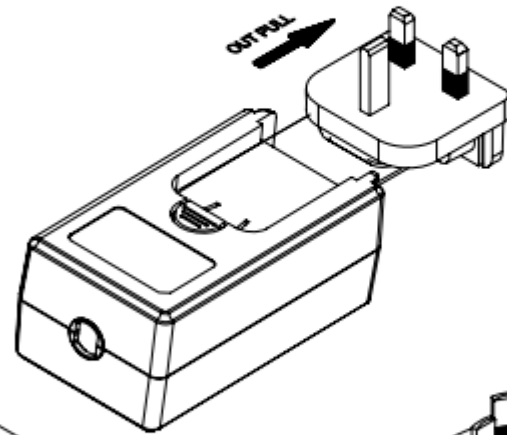
Mechanical Drawing (Continued)

USE SPECIFICATION



WARNING!

Please don't insert article alone at the wall.



AC – DC

Packaging

17.1 Inner Box

UNIT: mm

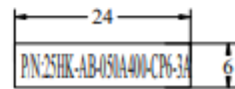
BOX (Normal BOX Corrugated BOX)

Length:145

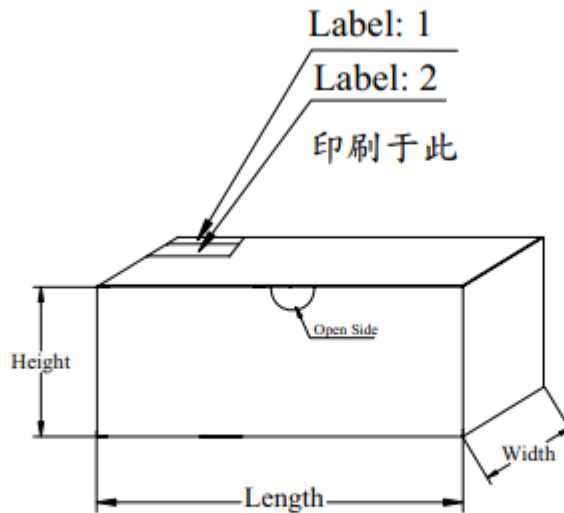
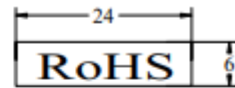
Width:75

Height:65

Label: 1



Label: 2

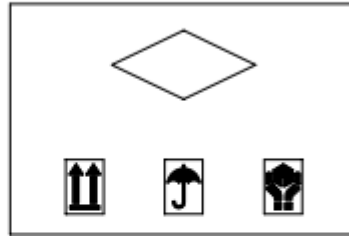


Material:A卡400磅(0.53t)White

Packaging (continued)

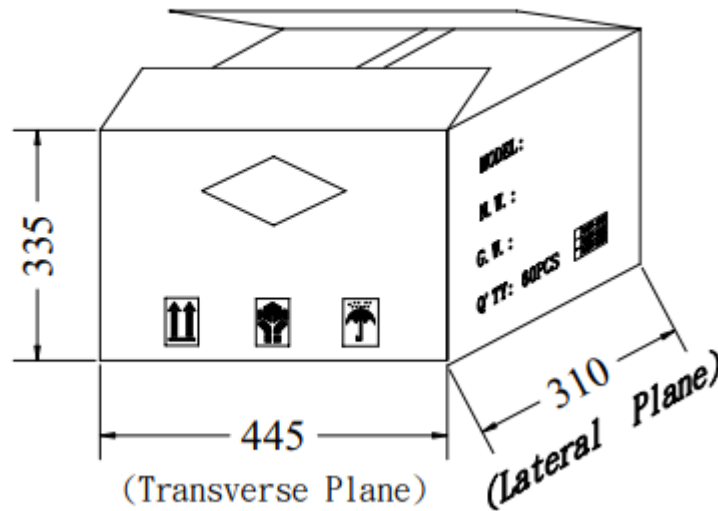
Carton

UNIT: mm



MODEL:
 N. W. :
 G. W. :
 Q' TY: 60PCS

	100V-120V
	200V-240V
	100V-240V

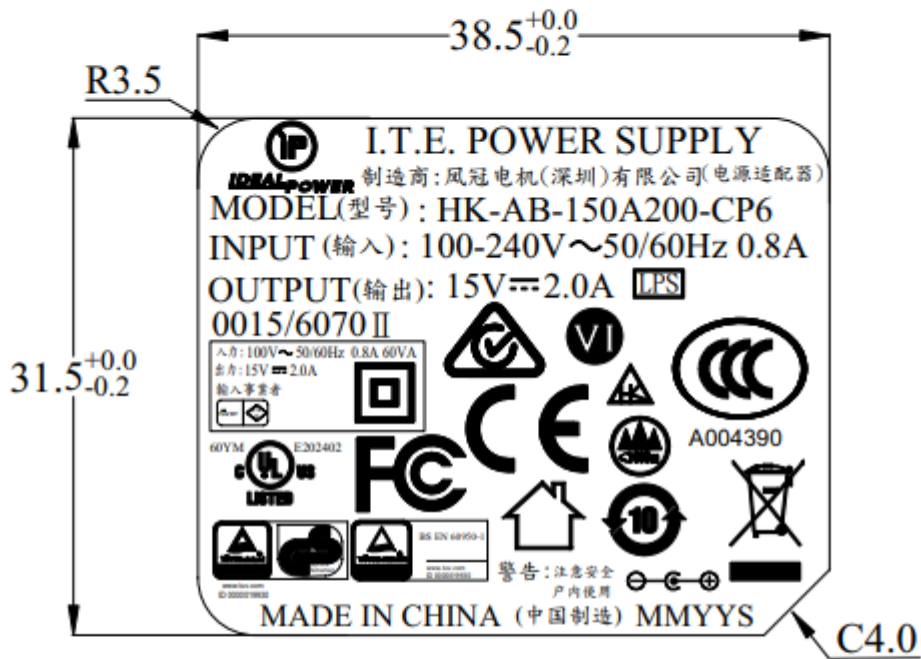
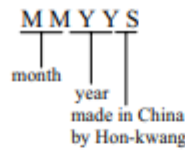


AC – DC

Labels

NAME-PLATE: WHITE CHARACTERS BLACK BACKGROUND.

UNIT: mm



CASE上

NAME-PLATE: BLACK CHARACTERS WHITE BACKGROUND.

